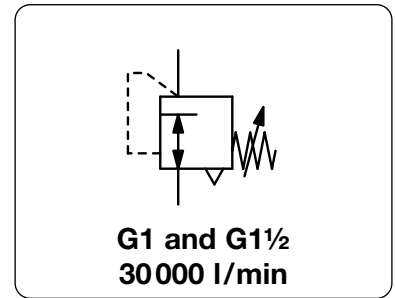


<b>Description</b>	Provides precision regulation in high flow and high relief applications. A sensitive rolling diaphragm and balanced inner valve assure constant outlet pressure even with supply pressure and flow fluctuations.	
<b>Media</b>	compressed air or non-corrosive gases	
<b>Supply pressure</b>	max. 18 bar, optionally max. 35 bar	
<b>Accuracy</b>	response sensitivity: < 2 mbar	
<b>Air consumption</b>	0.5% of volume flow, max. 15 l/min	
<b>Adjustment</b>	by T-handle with locknut	
<b>Relieving function</b>	relieving, optionally non-relieving	
<b>Relief capacity</b>	1200 l/min at 1.5 bar outlet and 0.35 bar overpressure above setpoint	
<b>Gauge port</b>	G¼ for outlet pressure	<b>Mounting position</b> any
<b>Temperature range</b>	0 °C to 90 °C / 32 °F to 194 °F, for appropriately conditioned compressed air down to -40 °C / -40 °F	
<b>Material</b>	Body: aluminium die-cast Elastomer: NBR/Buna-N, optionally FKM at 35 bar version Inner valve: stainless steel, brass, aluminium and steel	



Dimensions			K <sub>v</sub> -value (m³/h)	Flow rate m³/h*1 l/min*1	Connection thread G	Pressure range bar	Order number
A	B	C					

Precision pressure regulator							supply pressure max. 18 bar, relieving, with constant bleed	R102
141	287	56	11.4	1680	28000	G1	0.001 ... 0.7	R102-081
							0.03 ... 2.0	R102-08A
							0.07 ... 4.0	R102-08B
							0.14 ... 7.0	R102-08C
							0.14 ... 10	R102-08D
141	287	56	12.2	1800	30000	G1½	0.001 ... 0.7	R102-121
							0.03 ... 2.0	R102-12A
							0.07 ... 4.0	R102-12B
							0.14 ... 7.0	R102-12C
							0.14 ... 10	R102-12D

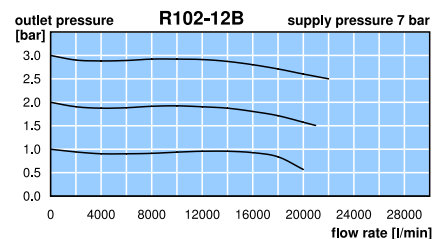
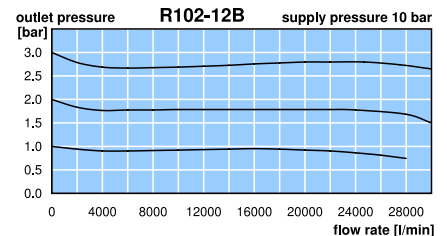
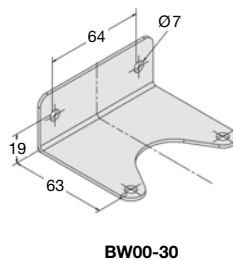
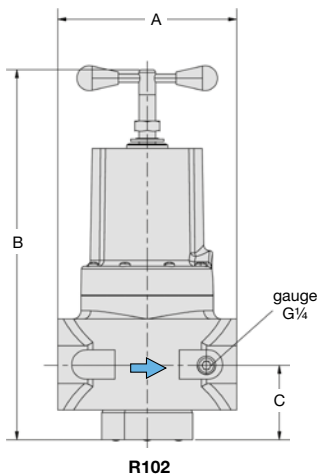
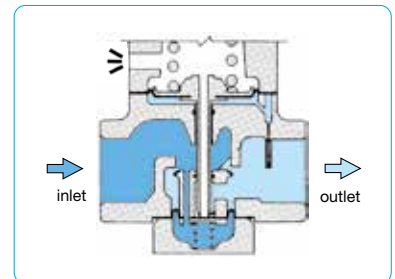


**Special options,** add the appropriate letter

<b>NPT</b>	connection thread	R102-... N
<b>non-relieving</b>	and without constant bleed	R102-... K
<b>supply pressure 35 bar</b>	free of non-ferrous metal, FKM elastomer	R102-... X62
<b>tamper-proof cap</b>	aluminium, adjustment by screwdriver, total height 295 mm	R102-... T

**Accessories,** enclosed

<b>pressure gauge</b>	Ø 63 mm, 0...*2 bar, G¼	MA6302-...*2
<b>mounting bracket</b>	made of steel	BW00-30



\*1 at 10 bar supply pressure and 2.8 bar outlet pressure  
\*2 01 = 0...1 bar, 02 = 0...2.5 bar, 04 = 0...4 bar, 10 = 0...10 bar